

MRPT89AC

Standard Pad Spread: 29-1/4" x 59" [740 x 1502 mm]
 Number / Size of Pads: 8 / 9" [229 mm] diameter
 Load Capacity: 1000 lbs. [455 kg]
 Unit Weight: 278 lbs. [126 kg]
 Standard Operating Power: 120 volts AC, 60 hertz, 12 amps
 Apply: 4 sec. Release: 3 sec. (approx.)
 Load Movement:

Manual rotation, 360° edgewise, with locking at each quarter point.
 Power tilt, 90° between upright and flat

Time for 90° Tilt: 9 sec. (approx.)

Tilt Duty: 60 tilts per hour

Green lift light

Removable control pendant

Vacuum gauge

Vacuum reserve tank

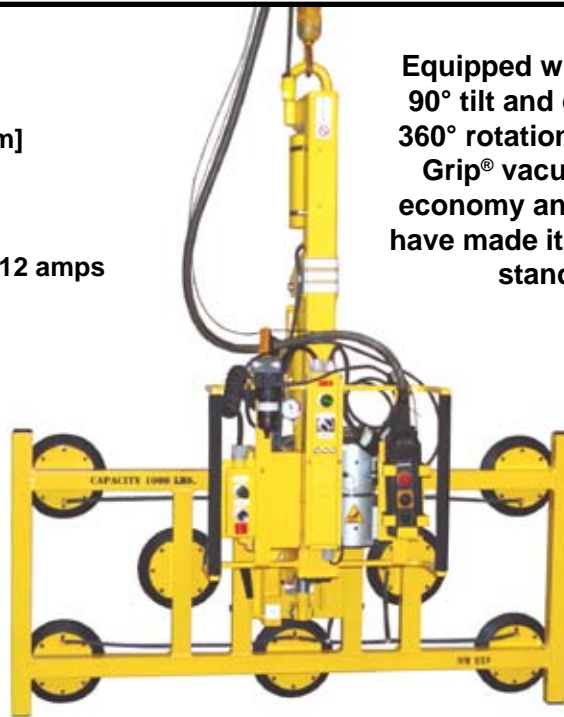
Vacuum line filter

Spring-mounted pads

Twist-lock electrical plug

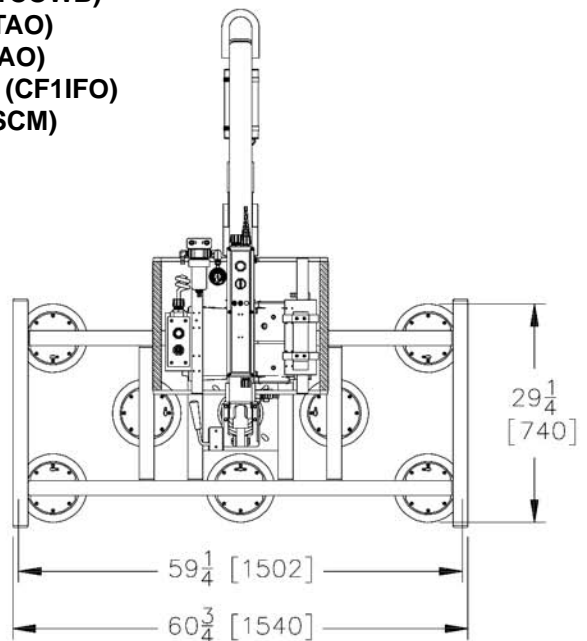
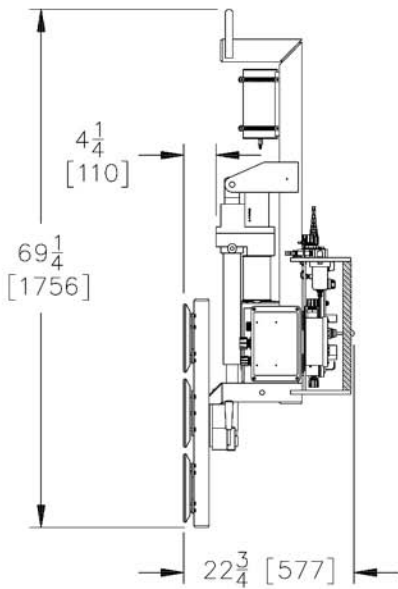
Blow-off for quick release

Equipped with powered 90° tilt and continuous 360° rotation, this Powr-Grip® vacuum lifter's economy and versatility have made it the industry standard.



AVAILABLE OPTIONS:

- 12-Volt/DC vacuum system (MRPT89DC)
- High-duty tilt with speed control (LB1ETO)
- 12-Volt/DC vacuum back-up system (EO1DCB)
- Vacuum loss warning buzzer (EO3VLW)
- Voltage adaptation (EO6VA)
- Individual pad shutoffs (CM1COWB)
- Telescoping pad arms (CF3TAO)
- Removable pad arms (CF2EAO)
- Interchangeable pad frames (CF1IFO)
- Movable pad mounts (CM2SCM)

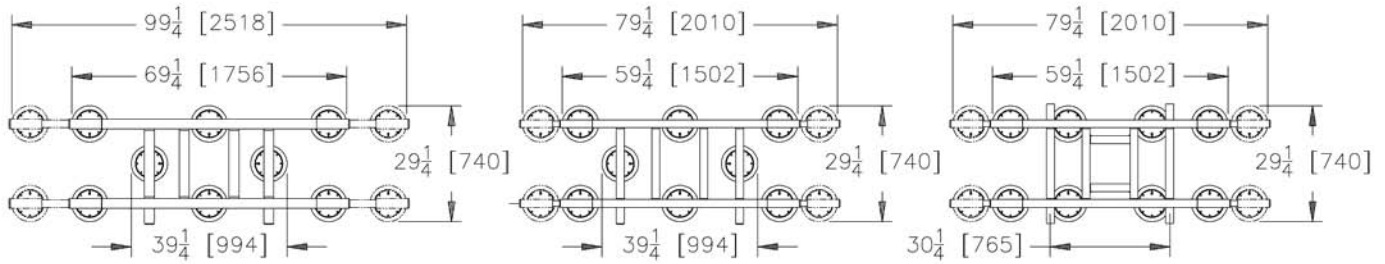


Based on product information at time of printing.

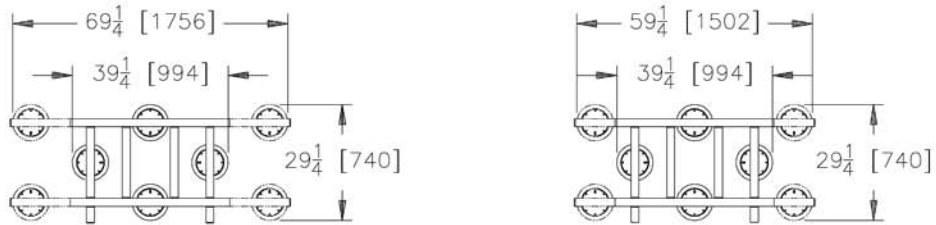


STANDARD INTERCHANGEABLE PAD FRAMES

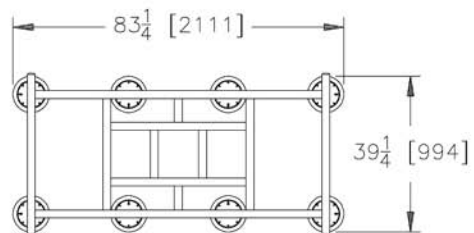
Telescoping Pad Arms (CF3TAO)



Removable Pad Arms (CF2EAO)



Interchangeable Pad Frame (CF1IFO)



(Custom Sized Pad Frame Also Available)