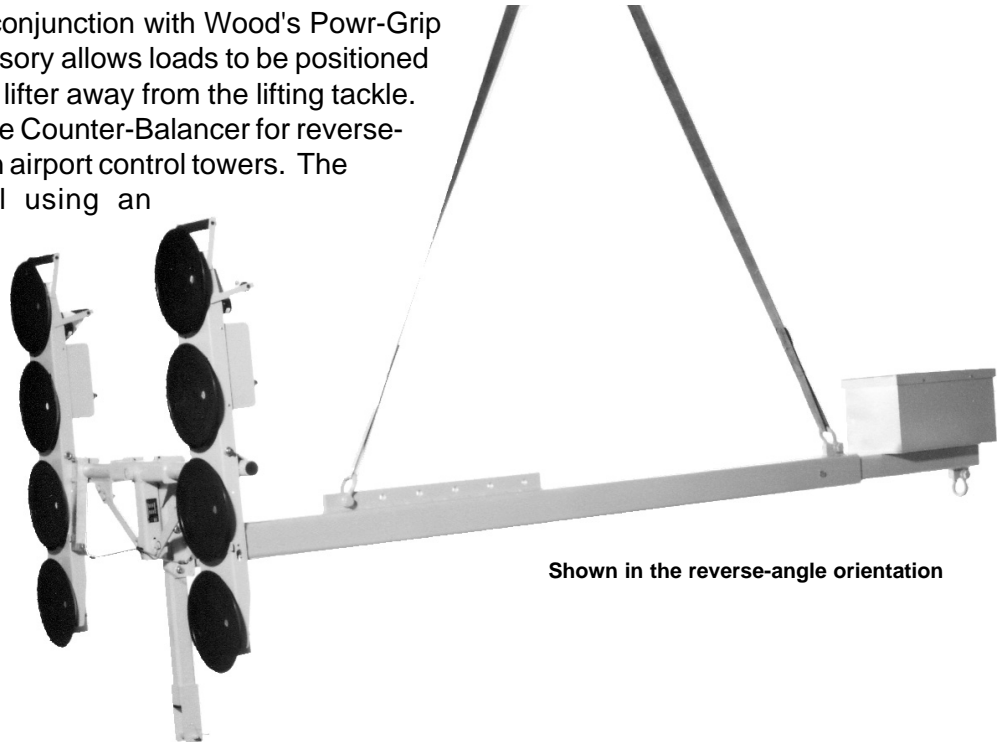


CB1S

The Counter-Balancer is used in conjunction with Wood's Powr-Grip P2 lifters. This vacuum lifter accessory allows loads to be positioned under overhangs by extending the lifter away from the lifting tackle. P2 lifters can also be inverted on the Counter-Balancer for reverse-angle installations, such as those in airport control towers. The Counter-Balancer is kept level using an adjustable counterweight arm, control lines and user-supplied ballast material.



Shown in the reverse-angle orientation

COUNTER-BALANCER

Reach:

- Minimum: 32½" [825 mm]
- Maximum: 62¼" [1587 mm]

Length:

- Fully Contracted: 156" [3963 mm]
- Fully Expanded: 219½" [5578 mm]

Unit Weight (w/o balast): 470 lbs [214 kg]

VACUUM LIFTERS

Standard Pad Spread: P2110445DC 51" x 54¼" [1295 x 1378 mm]
 P211047DC 51" x 84¼" [1295 x 2140 mm]

Number / Size of Pads: 8 / 11" [280 mm] dia. lipped

Load Capacity: 1400 lbs. [635 kg]

(On smooth, nonporous surfaces. Call for recommendations on other surfaces.)

Average Unit Weight: 177 lbs. [81 kg]

Standard Operating Power: 12 volts DC, 8 amps per Pad Channel

Load Movement: Manual rotation, 180° edgewise, with locking in three positions.
 Manual tilt, 90° between upright and flat, with automatic latching in upright position.

(Units can be tilted ONLY when the lift bar is locked in the center position.)

On-board battery and charger

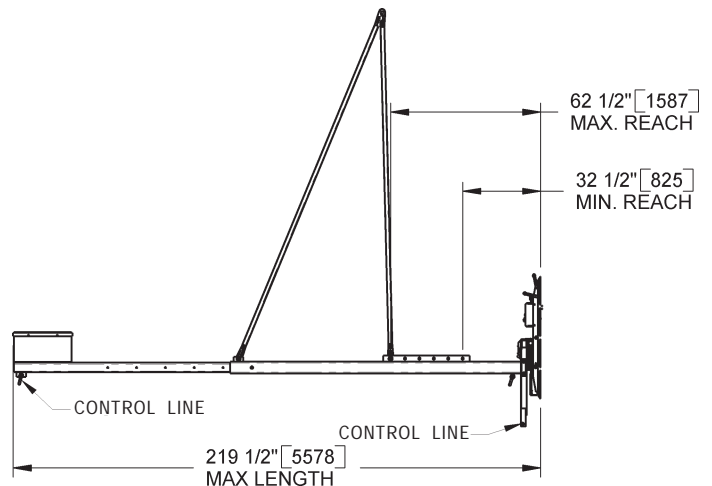
Battery energy gauge

Low vacuum warning light

Vacuum gauge

Vacuum line filter

Vacuum reserve tank



Based on product information at time of printing.

